

# S9056RT-HC/S9070RT-HC

## ULTRA-HIGH CAPACITY ROUGH TERRAIN SCISSOR LIFTS



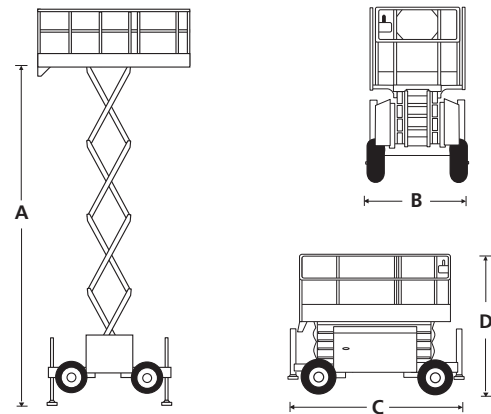
- Ultra-high capacity, large deck rough terrain scissor lifts
- Excellent rough terrain performance
- Heavy duty design
- Dual powered extension decks
- Ideal for construction applications

 **snorkel**<sup>™</sup>  
[www.snorkellifts.com](http://www.snorkellifts.com)

# ULTRA-HIGH CAPACITY ROUGH TERRAIN SCISSOR LIFTS

# S9056RT-HC/ S9070RT-HC

DIMENSIONS	S9056RT-HC*	S9070RT-HC*
Max. working height	19.1m	23.3m
Max. platform height (A)	17.1m	21.3m
Platform size (stowed)	2.28m x 4.87m	
Platform size (dual deck extended)	2.28m x 8.23m	
Extension deck length	1.37m	1.37m
Overall width (B)	2.28m	2.28m
Overall length (C)	4.87m	4.87m
Stowed height (D)	3.09m	3.43m
Min. height (guardrails folded)	2.1m	2.5m
Ground clearance	356mm	356mm

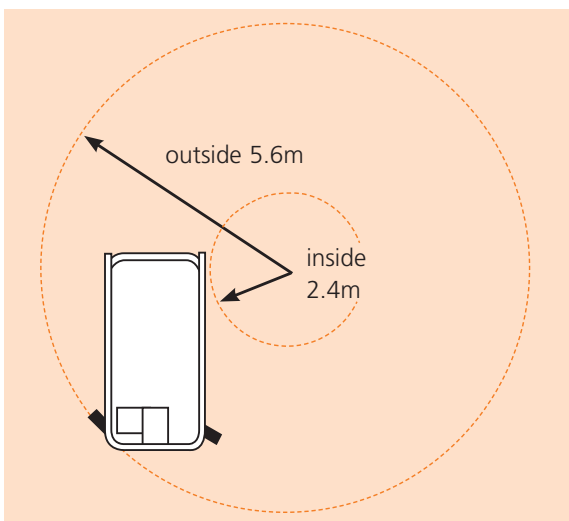


PERFORMANCE	S9056RT-HC*	S9070RT-HC*
Platform capacity (SWL)	1,134kg	907kg
Max. drive height	13.1m	13.1m
Max. wind speed	12.5m/s	12.5m/s
Max. drive speed (stowed)	6.7km/h	6.7km/h
Max. drive speed (elevated)	0.96km/h	0.96km/h
Raise/lower time	55/35 sec	70/40 sec
Gradeability	50%	50%
Max. stabilizer levelling, front to rear	6°	6°
Max. stabilizer levelling, side to side	12°	12°
Inside turning radius	2.4m	2.4m
Outside turning radius	5.6m	5.6m
Tyres	13 x 36 foam filled	
Controls	proportional joystick	
Drive system	4-wheel drive	

POWER	S9056RT-HC*	S9070RT-HC*
Power source	Kubota diesel	

WEIGHT	S9056RT-HC*	S9070RT-HC*
Weight	9,072kg	11,566kg

## TURNING RADIUS



## STANDARD FEATURES

- 4-wheel drive
- 4 hydraulic stabilizers with automatic levelling
- Dual powered extension decks
- Proportional controls
- Foam filled tyres
- Power line to platform
- Drive motion alarm
- Descent alarm
- Fold-down guardrails
- Locking oscillating axle
- Manual lowering valve
- Flashing amber light (x2)
- Dual lanyard attachment points
- Hour meter & on-board diagnostics display
- 2 year parts & labour, 5 year structural warranty
- CE approved

## OPTIONS

- Special paint colours
- Nylon spreader pads (set of 4)
- Environmental hydraulic oil
- Cold weather package (block heater + battery warm up)
- Hydraulic generator 110V/240V
- 12kW generator package
- Snorkel OnSite™ telematics

**snorkel** [www.snorkellifts.com](http://www.snorkellifts.com)

Vigo Centre, Birtley Road,  
Washington, Tyne & Wear,  
NE38 9DA, U.K.

t: +44 (0) 845 1550 057  
e: sales.emea@snorkellifts.com