

SR9244

ROUGH TERRAIN TELEHANDLER



- Full-time 4-wheel drive
- Fully enclosed cab
- Power assisted steering
- Proportional joystick
- Simple to operate & maintain

 **snorkel**™
www.snorkellifts.com

ROUGH TERRAIN TELEHANDLER

SR9244

CAPABILITIES SR9244

Max. lift capacity	4,200kg
Max. lift height (A)	13.5m
Max. forward reach	9.5m

DIMENSIONS

Overall width (B)	2.3m
Stowed height (C)	2.56m
Length to fork face (D)*	6.45m
Wheelbase	2.95m
Ground clearance	350mm

PERFORMANCE

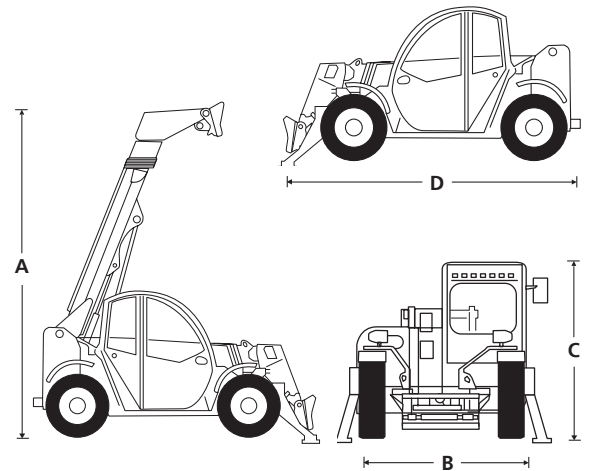
Max. drive speed	30km/h
Raise/lower time	13/9.5 sec
Frame levelling	11°
Hydraulic flow (per minute)	120L
Hydraulic pressure	230bar
Hydraulic oil capacity	150L
Fuel capacity	120L
Outside turning radius	4.2m
Tires	405/70 - 24

POWER

Power source	Deutz TCD 3.6L 100hp Tier 4 Final diesel
--------------	--

WEIGHT

Weight	11,150kg
--------	----------



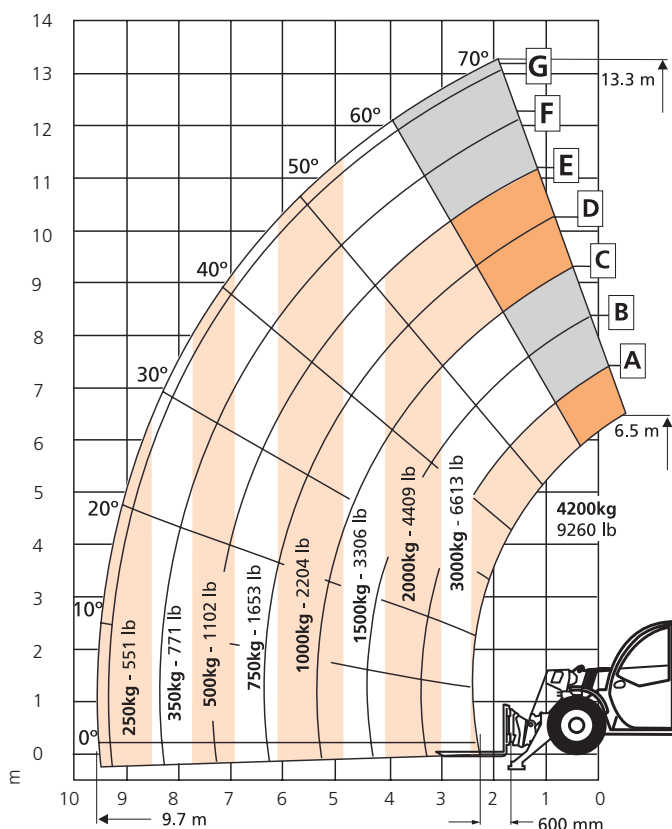
STANDARD FEATURES

- Fully enclosed cab with air conditioning & heat
- Window wipers
- Manual pintle hitch
- Backup alarm
- Running lights
- Axle mounted outriggers
- PEB electrical boom socket
- Constant front hydraulic flow
- USA block heater plug
- B class carriage adapter
- Hydraulic attachment quick disconnect
- Front and rear LED work lights
- Boom work lights (2)
- 2 year parts & labor, 5 year structural warranty
- ANSI compliant

OPTIONS

- Special paint colors
- Multiple options for carriages, tires, fork tines and attachments
- Snorkel OnSite™ telematics

LOAD CHART



P.O. Box 1160
 St. Joseph, MO 64502-1160, USA
 Tel: 1 (785) 989-3000
 Toll-free: 1 (800) 255-0317
 Fax: 1 (785) 989-3070
 Email: sales.usa@snorkellifts.com

www.snorkellifts.com