

# SL26SL/SL30SL

## SPEED LEVEL



- The original Speed Level sigma lift
- Climbs gradients of up to 50%
- Auto-levelling without the need for outriggers
- Suitable for most terrains
- Powerful 4x4 drive
- Ideal for rough terrain or work at height on sloped ground

 **snorkel**  
[www.snorkellifts.com](http://www.snorkellifts.com)

## SPEED LEVEL

# SL26SL/SL30SL

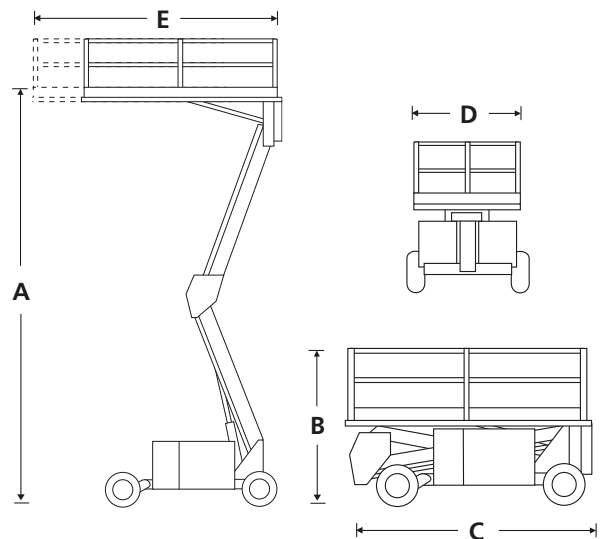
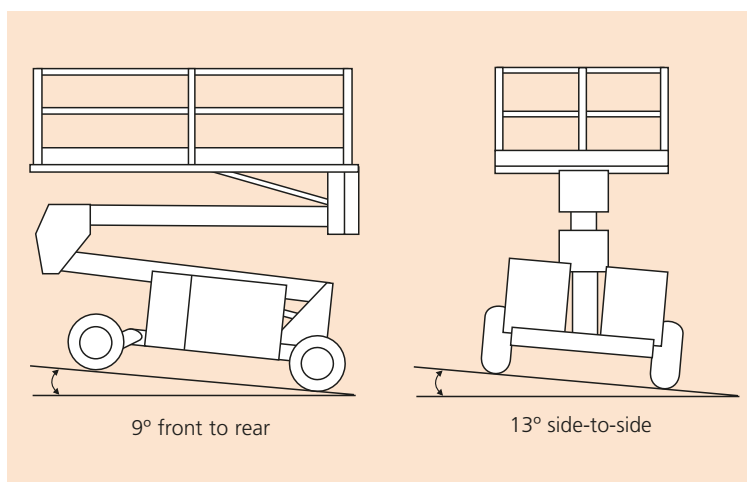
DIMENSIONS	SL26SL	SL30SL
Max. working height	10.0m	11.0m
Max. platform height (A)	8.0m	9.0m
Platform size (stowed)	1.72m x 3.66m	1.72m x 4.23m
Platform size (extended) (E)	1.72m x 4.6m	n/a
Overall width (D)	2.13m	2.13m
Overall length (C)	3.79m	4.3m
Stowed height (B)	2.6m	2.6m
Min. height (guardrails folded)	1.7m	1.7m
Chassis ground clearance	305mm	305mm
Axle ground clearance	193mm	193mm

PERFORMANCE	SL26SL	SL30SL
Platform capacity (SWL)	680kg	590kg
Max. drive height	8.0m	9.0m
Max. wind speed	12.5m/s	12.5m/s
Max. drive speed (stowed)	6.4km/h	6.4km/h
Max. drive speed (elevated)	0.8km/h	0.8km/h
Raise/lower time	21/32 seconds	24/36 seconds
Gradeability	50%	50%
Max. levelling, front to rear	9°	9°
Max. levelling, side to side	13°	13°
Inside turning radius	3.9m	3.9m
Outside turning radius	5.64m	5.64m
Tires	26 x 12.00 - 12 NHS foam filled	
Controls	proportional joystick	
Drive system	4 wheel drive with hydraulic motors and flow dividers	

POWER	SL26SL	SL30SL
Power source	Kubota D-902 water-cooled diesel engine Tier 4 Final	

WEIGHT	SL26SL	SL30SL
Weight	3,500 kg	3,400kg

### LEVELLING CAPABILITIES



### STANDARD FEATURES

- Automatic powered platform levelling
- Oscillating front axle
- High grip, open tread deck (SL30SL)
- Roll-out extension deck (SL26SL)
- Descent alarm
- Hour meter & on-board diagnostics display
- High grip, all terrain tires
- Dual multi-disc brakes
- Proportional controls
- Power line to platform
- Fold-down guardrails
- Horn
- All motion alarm
- 2 year parts & labor, 5 year structural warranty
- ANSI compliant

### OPTIONS

- Special paint colors
- Flashing amber light
- Diesel exhaust scrubber
- Environmental hydraulic oil
- Tunnel package
- CSA compliant

**snorkel** [www.snorkellifts.com](http://www.snorkellifts.com)

P.O. Box 1160  
St. Joseph, MO 64502-1160, USA  
Tel: 1 (785) 989-3000  
Toll-free: 1 (800) 255-0317  
Fax: 1 (785) 989-3070  
Email: sales.usa@snorkellifts.com