

S4726E/S4732E

ELECTRIC SLAB SCISSOR LIFTS



- Self-propelled electric scissor lifts
- Compact & robust
- Roll-out extension decks for extra reach
- Suitable for indoor and outdoor use
- Ideal for construction & maintenance applications

 **snorkel**[™]
www.snorkellifts.com

ELECTRIC SLAB SCISSOR LIFTS

S4726E/S4732E

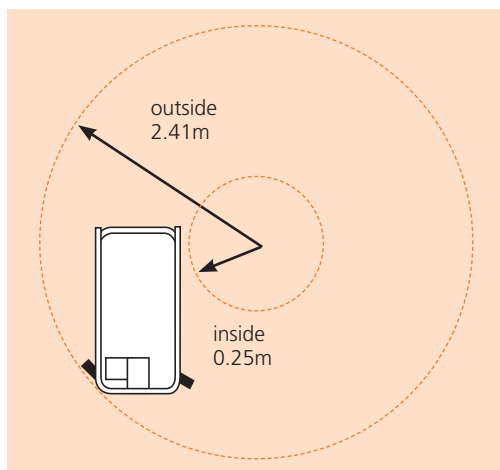
DIMENSIONS	S4726E	S4732E
Max. working height	9.8m	11.8m
Max. platform height (A)	7.8m	9.8m
Platform size (stowed)	1.09m x 2.14m	1.09m x 2.14m
Platform size (extended)	1.09m x 3.36m	1.09m x 3.36m
Extension deck length (B)	1.21m	1.21m
Overall length (with step) (D)	2.3m	2.3m
Overall length (without step)	2.26m	2.26m
Overall width (C)	1.19m	1.19m
Stowed height (E)	2.3m	2.39m
Min. height (guardrails folded)	1.85m	1.94m
Ground clearance (stowed)	66mm	66mm
Ground clearance (elevated)	19mm	19mm

PERFORMANCE		
Platform capacity	454kg	317kg
Max. drive height	7.8m	9.8m
Max. wind speed	12.5m/s	12.5m/s
Max. drive speed (stowed)	3.2km/h	3.2km/h
Max. drive speed (elevated)	0.6km/h	0.6km/h
Raise/lower time	50/58 sec	50/58 sec
Gradeability	25%	25%
Inside turning radius	0.25m	0.25m
Outside turning radius	2.41m	2.41m
Tires	15 x 5 non-marking rubber	
Controls	proportional	
Drive system	2-wheel drive	

POWER		
Power source	24V DC battery electric	
Charger	90-240V, 25amp	

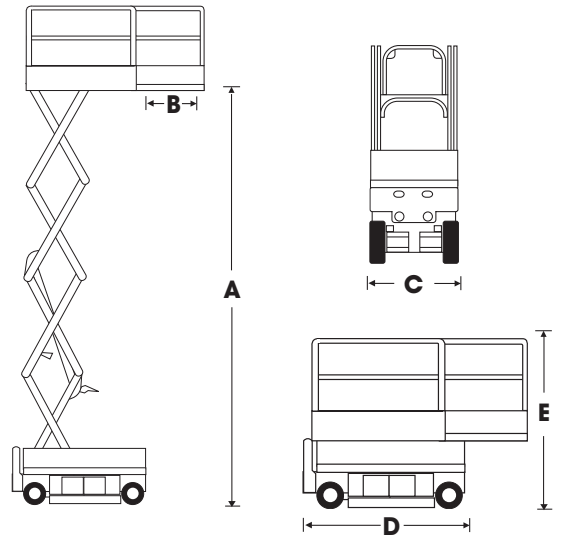
WEIGHT		
Weight	2,159kg	2,591kg

TURNING RADIUS



ANSI Specification
© Snorkel 2021

Specifications subject to change without notice. Photos and diagrams in this brochure are for promotional purposes only. Refer to appropriate Snorkel operators manual for detailed instructions on the proper use and maintenance.



STANDARD FEATURES

- Roll-out deck extension with dual locks
- Non-marking tires
- Loading control pendant
- Swing-out service trays
- Saloon-door style entry gates
- Descent alarm
- All motion alarm
- 3 persons indoor (S4726E)
- 2 persons indoor (S4732E)
- 1 person outdoor
- Proportional controls, including descent
- Power line to platform
- Platform overload system
- Hour meter & on-board diagnostics display
- Integrated battery charger
- Battery condition indicator
- Crane & forklift points
- Dual lanyard attachments points
- Flashing amber light
- Scissor stack roller slide plates (set of 2)
- 2 year parts & labor, 5 year structural warranty
- ANSI compliant

OPTIONS

- Special paint colors
- Snorkel Guard™ secondary guarding system
- Airline to platform
- Aircraft bumpguard package
- Panel carrier
- Environmental hydraulic oil
- 110V AC 800W inverter
- Pipe rack
- Top rail
- Snorkel OnSite™ telematics

snorkel

www.snorkellifts.com

P.O. Box 1160
St. Joseph, MO 64502-1160, USA
Tel: 1 (785) 989-3000
Toll-free: 1 (800) 255-0317
Fax: 1 (785) 989-3070
Email: sales.usa@snorkellifts.com

02/2021