

AB80J/AB85J

ARTICULATED BOOM LIFTS



- The ultimate diesel articulated boom
- Excellent aerial manoeuvrability with "up & over" capabilities
- Powerful 4 wheel drive
- Smooth, precise, easy to use controls
- Simple to maintain and service

 **snorkel**[™]
www.snorkellifts.com

ARTICULATED BOOM LIFTS

AB80J/AB85J

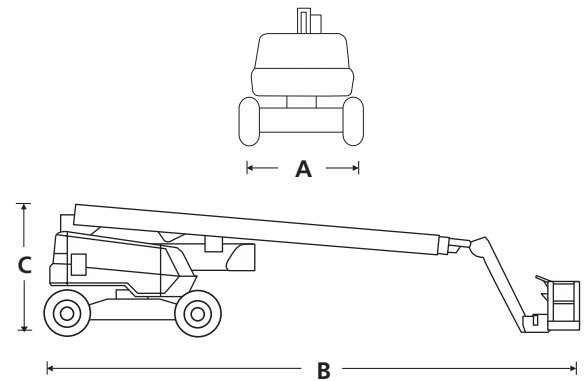
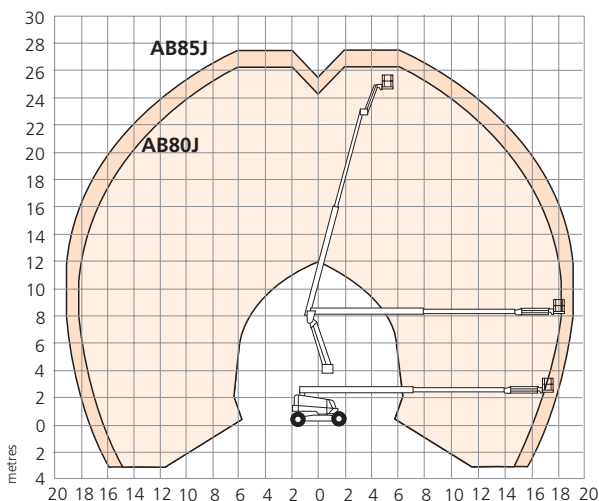
DIMENSIONS	AB80J	AB85J
Max. working height	26.4m	27.7m
Max. platform height	24.4m	25.7m
Max. working outreach	18.1m	18.8m
Clearance height at max. outreach	8.5m	8.5m
Platform size	0.91m x 2.44m	0.91m x 2.44m
Overall width (A)	2.6m	2.6m
Overall length (B)	9.8m	12.5m
Stowed height (C)	2.9m	2.9m
Ground clearance	330mm	330mm

PERFORMANCE		
Platform capacity (SWL)	227kg	227kg
Max. drive height	24.4m	25.7m
Max. wind speed	12.5m/s	12.5m/s
Max. drive speed (stowed)	4.8km/h	4.8km/h
Max. drive speed (elevated)	1.0km/h	1.0km/h
Jib length	1.5m	2.0m
Jib arc	140° (+70°/-70°)	135° (+70°/-65°)
Jib rotation	n/a	140° side to side
Platform rotation	150°	150°
Raise/lower time	240/240 sec	240/240 sec
Tailswing	0.89m	0.89m
Turret rotation (continuous)	360°	360°
Gradeability	40%	40%
Inside turning radius	2.4m	2.4m
Outside turning radius	4.7m	4.7m
Tires	15 x 625 foam filled loader lug	
Controls	proportional joystick	
Drive system	4 wheel drive	

POWER	
Power source	Kubota V2403 48kW/65hp diesel - Tier 4 Final

WEIGHT		
Weight	16,730kg	17,500kg

WORKING ENVELOPE



STANDARD FEATURES

- Snorkel Guard™ secondary guarding system
- Hydraulic platform rotation
- 4 wheel drive
- 4 wheel steer, including crab steer
- Proportional drive, boom lift & slew
- Foam filled lug tires
- Power line to platform
- Driveable at full height
- Motion alarm
- 3.5° tilt alarm
- Flashing amber light
- Horn
- 2 year parts & labor, 5 year structural warranty
- ANSI compliant

OPTIONS

- Special paint colors
- AC generator 110V/240 2kW
- Non-marking tires
- Airline to platform
- Aircraft package
- Deluxe aircraft package
- Cold weather package
- Extreme cold weather package
- Extreme environment package
- Light package
- Tow kit
- Glazier package
- 12kW generator package
- 12kW generator/welder package
- Environmental hydraulic oil

snorkel

www.snorkellifts.com

P.O. Box 1160
 St. Joseph, MO 64502-1160, USA
 Tel: 1 (785) 989-3000
 Toll-free: 1 (800) 255-0317
 Fax: 1 (785) 989-3070
 Email: sales.usa@snorkellifts.com