

A46JE/A46JRT

ARTICULATED BOOM LIFTS



- Class-leading articulated boom lifts
- Choose from electric or rough terrain diesel models
- Highly maneuverable with tight turning radius
- Superb working envelope with zero tailswing
- Robust, reliable and easy to operate

 **snorkel**
www.snorkellifts.com

ARTICULATED BOOM LIFTS

A46JE/A46JRT

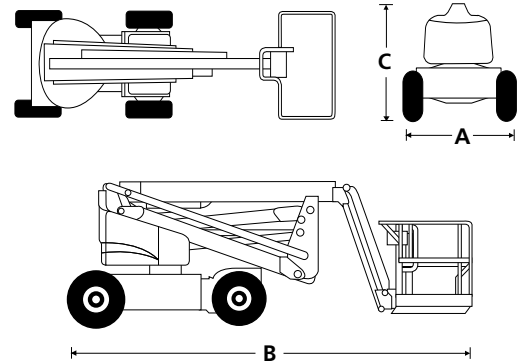
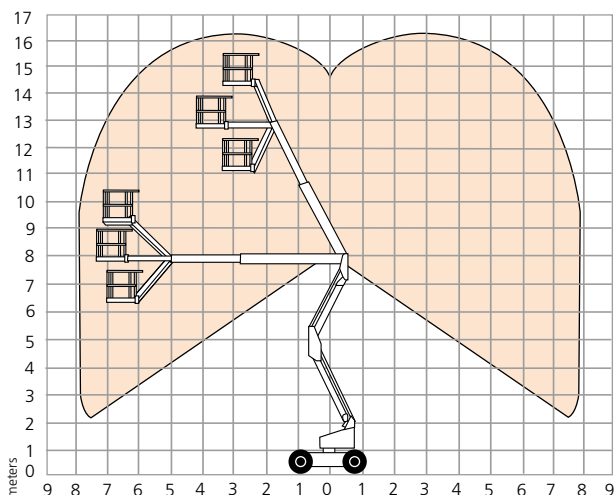
| DIMENSIONS | A46JE | A46JRT |
|-----------------------------------|-------------|-------------|
| Max. working height | 16.0m | 16.3m |
| Max. platform height | 14.0m | 14.3m |
| Max. horizontal outreach | 7.35m | 7.35m |
| Clearance height at max. outreach | 7.46m | 7.67m |
| Platform size | 1.0 x 1.83m | 1.0 x 1.83m |
| Chassis width (A) | 1.7m | 2.1m |
| Overall length (B) | 5.6m | 5.7m |
| Stowed height (C) | 2.1m | 2.16m |
| Ground clearance | 152mm | 330mm |

| PERFORMANCE | A46JE | A46JRT |
|--|--|----------------------------|
| Platform capacity (SWL) | 227kg | 227kg |
| Max. drive height | 14.0m | 14.3m |
| Max. wind speed | 12.5m/s | 12.5m/s |
| Max. drive speed (stowed) | 5.1km/h | 5.1km/h |
| Max. drive speed (elevated) | 0.8km/h | 1.3km/h |
| Jib length | 1.5m | 1.5m |
| Jib arc | 140° | 140° |
| Platform rotation | 160° | 160° |
| Superstructure rotation (non-continuous) | 360° | 360° |
| Tailswing | 0m | 0m |
| Raise/lower time | 99/92 seconds | 101/98 seconds |
| Gradeability | 30% | 45% |
| Inside turning radius | 0.61m | 0.81m |
| Outside turning radius | 3.0m | 3.17m |
| Tires | Non-marking foam filled IN240/55D 17.5 | foam filled lug 355/55D625 |
| Controls | proportional | proportional |
| Drive system | 2 wheel drive | 4 wheel drive |

| POWER | A46JE | A46JRT |
|--------------|------------------------|--------------------------------|
| Power source | 8 x 6V 360Ah batteries | Kubota V1505 24.9hp T4F Diesel |

| WEIGHT | A46JE | A46JRT |
|--------|---------|---------|
| Weight | 6,664kg | 7,540kg |

WORKING ENVELOPE



STANDARD FEATURES

- Snorkel Guard™ secondary guarding system
- Multi-function proportional controls
- Flashing amber light
- Foam filled lug tires (A46JRT)
- Tri-entry platform
- Tilt alarm
- Oscillating front axle (A46JRT)
- Power line to platform
- Hour meter & onboard diagnostics display
- Horn
- Battery charge indicator (A46JE)
- Drive motion alarm
- 2 year parts & labor, 5 year structural warranty
- ANSI compliant

OPTIONS

- Special paint colors
- Non-marking tires (A46JRT)
- AC generator 110/240V 2kW (A46JRT)
- Airline to platform
- 1.52m aluminium with swing gate
- Aircraft package
- Deluxe aircraft package
- Cold weather package
- Extreme cold weather package (A46JRT)
- Extreme environment package
- Light package
- Tool tray (A46JRT)
- Pneumatic tires (A46JRT only)
- Environmental hydraulic oil
- Platform overload system
- Utility package (A46JRT)
- CSA compliant

snorkel www.snorkellifts.com

P.O. Box 1160
 St. Joseph, MO 64502-1160, USA
 Tel: 1 (785) 989-3000
 Toll-free: 1 (800) 255-0317
 Fax: 1 (785) 989-3070
 Email: sales.usa@snorkellifts.com