

2100SJ

MEGA TELESCOPIC BOOM LIFT



- The world's largest self-propelled telescopic boom lift
- 5 steering modes, including lateral drive for exceptional maneuverability
- Industry-leading outreach
- Secondary platform controls for precise positioning
- Patent pending design

 **snorkel**[™]
www.snorkellifts.com

MEGA TELESCOPIC BOOM LIFT

2100SJ

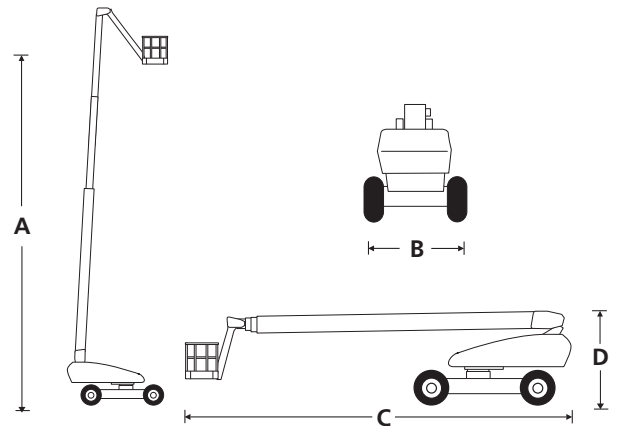
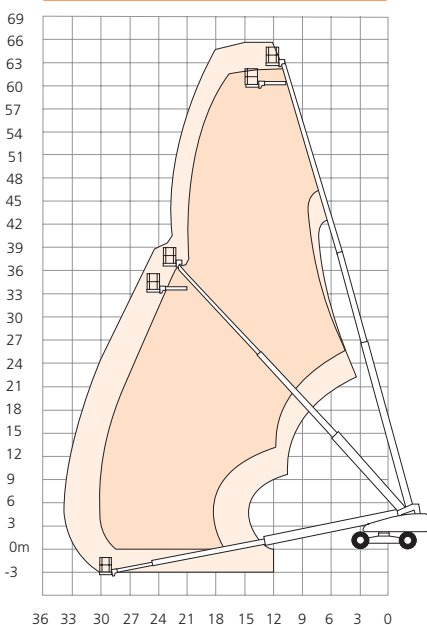
DIMENSIONS	2100SJ*
Max. working height	66.0m
Max. platform height (A)	64.0m
Max. horizontal reach	30.5m
Platform size	2.4m x 0.9m
Overall width (B)	2.5m
Operational width (extended)	5.5m
Stowed length (C)	14.9m
Stowed height (D)	3.0m
Ground clearance	0.2m

PERFORMANCE	
Platform capacity (SWL) (unrestricted)	300kg
Platform capacity (SWL) (restricted)	453kg
Max. drive height	64.0m
Max. wind speed	12.5m/s
Max. drive speed (stowed)	4.3km/h
Max. drive speed (elevated)	0.2km/h
Jib length	9.1m
Jib working arc	-55° to +73°
Platform rotation	150°
Superstructure rotation (continuous)	360°
Tailswing (axes retracted)	2.8m
Tailswing (axes extended)	1.3m
Raise/lower time	6.5/7 min
Gradeability	35%
Inside turning radius (axes retracted)	3.0m
Inside turning radius (axes extended)	2.5m
Outside turning radius (axes retracted)	4.9m
Outside turning radius (axes extended)	6.4m
Tires	445/50-710 foam filled 24 ply
Controls	proportional joystick
Drive system	4 wheel drive

POWER	
Power source	Deutz TCD 2.9L 74hp - Tier 4 Final

WEIGHT	
Weight	36,300kg

WORKING ENVELOPE



STANDARD FEATURES

- Snorkel Guard™ secondary guarding system
- Four wheel drive
- Secondary platform controls
- 5 steering modes – front axle, rear axle, crab, complementary & lateral
- All proportional controls
- Remote lower control panel
- Tool tray
- Hydraulic platform rotation
- 360° continuous turntable rotation
- Flashing amber light
- Dual lanyard attachment points
- Foam filled tires
- Power line to platform
- 2 year parts & labor, 5 year structural warranty
- ANSI compliant

OPTIONS

- Special paint colors
- Airline to platform
- Non-marking tires
- AC generator 110V/220V 2kW
- 100hp engine option
- Pressure washing package
- 10kW generator package
- 10kW generator/welder package
- Cold weather package
- Extreme cold weather package
- Extreme environment package
- Light package
- Glazier package
- Environmental hydraulic oil

snorkel www.snorkellifts.com

P.O. Box 1160
 St. Joseph, MO 64502-1160, USA
 Tel: 1 (785) 989-3000
 Toll-free: 1 (800) 255-0317
 Fax: 1 (785) 989-3070
 Email: sales.usa@snorkellifts.com