

ML20I/ML25I

MATERIAL LIFTS



- A high specification material lift with heavy duty load capacity
- Narrow design to maneuver through a standard doorway without tilting back
- Robust, industrial grade design
- Features a dual-handle, shift-on-the-fly, two-speed winch for improved productivity

 **snorkel**™
www.snorkellifts.com

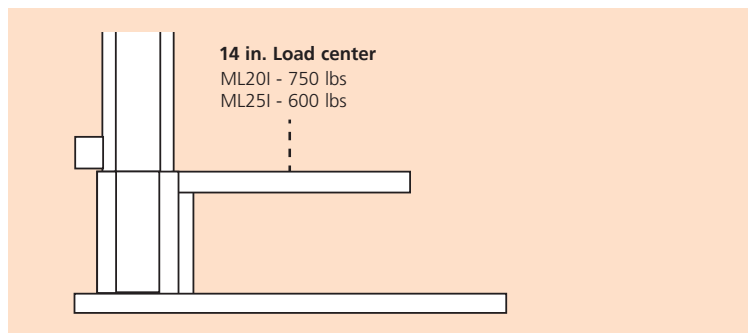
MATERIAL LIFTS

DIMENSIONS	ML20I	ML25I
Lift height – forks up	20 ft 3 in	24 ft 11 in
Lift height – forks down	18 ft 6 in	23 ft 2 in
Stowed width (A)	30.5 in	30.5 in
Stabilizer width (B)	5 ft 4 in	5 ft 4 in
Stowed length	6 ft 5 in	6 ft 5 in
Operating length (C)	6 ft 3 in	6 ft 3 in
Stowed height (D)	6 ft 2 in	6 ft 2 in
Fork width (outside)	23 in	23 in
Fork length (E)	30 in	30 in
Ground clearance	2.5 in	2.5 in

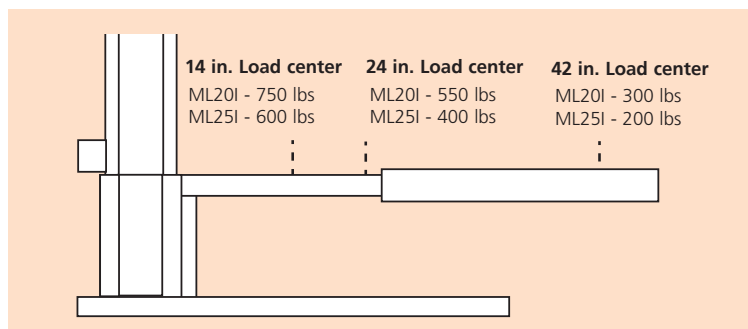
PERFORMANCE	ML20I	ML25I	
Max. load capacity (14" load center)	750 lbs	600 lbs	
Max. load capacity (24" load center)	550 lbs	400 lbs	
Max. load capacity (42" in load center)	300 lbs	200 lbs	
Min. load height	6 in	6 in	6 in
Winch (high speed)		4 cranks/ft	
Winch (low speed)		15 cranks/ft	

WEIGHT	ML20I	ML25I
Weight	332 lbs	368 lbs

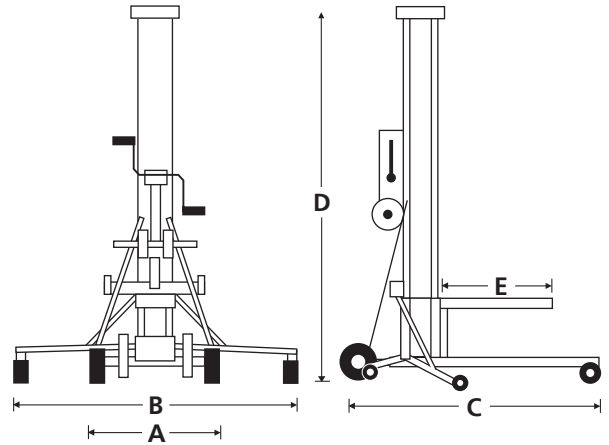
LOAD CAPACITY - STANDARD FORKS



LOAD CAPACITY - EXTENDED FORKS



ML20I/ML25I



STANDARD FEATURES

- Stabilizers with non-marking swivel casters
- Mast brake
- Cable guard
- Dual-handle, two-speed shift-on-the-fly winch
- Metal cable pulleys with sealed bearings
- Heavy-gauge aluminum extrusions
- Heavy duty, non-marking casters
- Crane attachment point
- 2 year parts & labor, 5 year structural warranty
- ANSI compliant

OPTIONS

- Special paint colors
- Adjustable forks
- Fork extensions
- Boom
- Pipe cradle
- Load platform
- Non-marking rear wheel transport package
- Smart latch



P.O. Box 1160
 St. Joseph, MO 64502-1160, USA
 Tel: 1 (785) 989-3000
 Toll-free: 1 (800) 255-0317
 Fax: 1 (785) 989-3070
 Email: sales.usa@snorkellifts.com