

EZ12/EZ18/EZ24

E-Z LOADER CUSTOM BUILT DELIVERY TRUCKS



- Custom-built to meet your needs
- 17-second ramp deployment
- Towing capabilities
- Traction plate full ramp
- Positive tail lock
- Dock loading ability

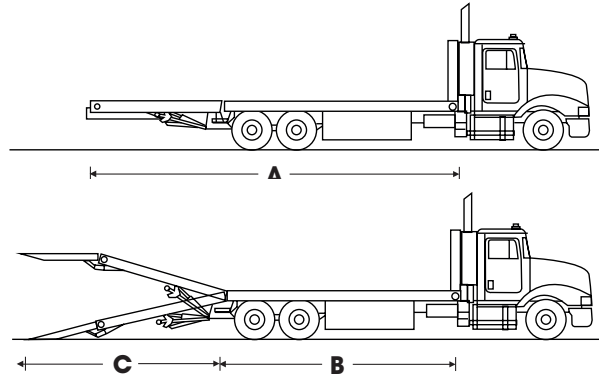
 **snorkel**[™]
www.snorkellifts.com

E-Z LOADER DELIVERY TRUCKS

EZ12/EZ18/EZ24

CAPACITIES	EZ12	EZ18	EZ24
Bed capacity	12,000 lbs	18,000 lbs	24,000 lbs
Dove tail lift capacity	8,000 lbs	10,000 lbs	15,000 lbs
Tow capacity	5,000 lbs	5,000 lbs	10,000 lbs
Approximate G.V.W.	26,000 lbs	33,000 lbs	48,000 lbs
Hydraulic P.T.O.	14 gal	14 gal	14 gal

DIMENSIONS			
Overall bed (w x l) (A)	8 ft 6 in x 21 ft 3 in	8 ft 6 in x 25 ft 3 in	8 ft 6 in x 27 ft 6 in
Main bed (w x l) (B)	8 ft 6 in x 13 ft 5 in	8 ft 6 in x 17 ft	8 ft 6 in x 17 ft 3 in
Dove tail (w x l)	8 ft 6 in x 7 ft 5 in	8 ft 6 in x 8 ft	8 ft 6 in x 10 ft
Flip tail (w x l)	8 ft 6 in x 4 ft 7 in	8 ft 6 in x 5 ft 3 in	8 ft 6 in x 5 ft 3 in
Bulk head height	5 ft	5 ft	5 ft
Cab to axle length	11 ft 6 in	15 ft 5 in	13 ft 8 in
Ramp length (C)	11 ft 11 in	13 ft 4 in	14 ft 9 in
Bed height	3 ft 5 in	3 ft 10 in	4 ft
Max. dock height	5 ft 5 in	5 ft 6 in	6 ft 3 in
Ramp angle	18° / 32%	18° / 32%	18° / 32%
Hitch receiver tube	2 in	2 in	2 in
Wood thickness	1 in	1 in	1 in
Min. chassis frame rail height	38 in	41.5 in	41.58 in



STANDARD FEATURES

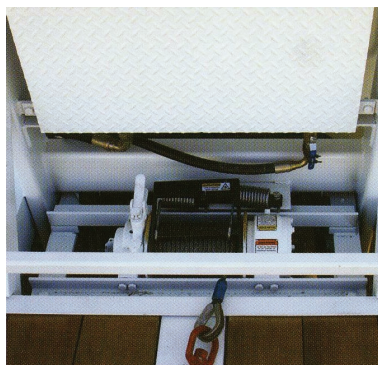
- Bulkhead bolted to the frame
- Traction plate full ramp
- Knife edge ramp
- Chain tie-down points (every 1' 2" to 1' 10")
- Nylon strap tie-down points
- Dock loading ability
- Positive tail lock (non-hydraulic)
- 1 year on all components, 3 year structural warranty (bed only)

OPTIONS

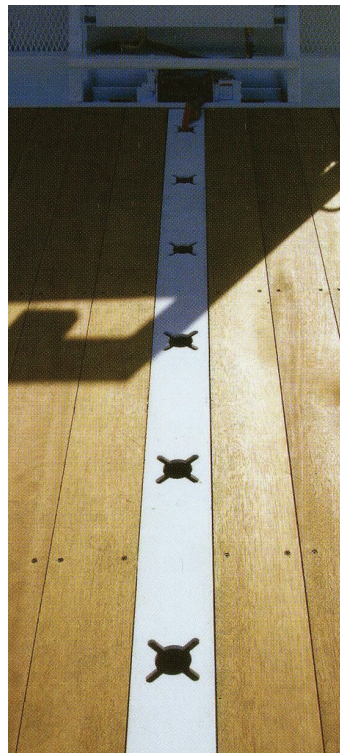
- Special paint colors
- 4 ft tool box (recommended for EZ12/EZ24)
- 5 ft tool box (recommended for EZ18)
- 6 ft tool box (recommended for EZ12/EZ18/EZ24)
- 8 ft tool box (recommended for EZ24)
- 5 ft emergency light bar
- LED loading work lights (each)
- 10,000 lbs hydraulic winch with level winder (150 lbs)
- 15,000 lbs hydraulic winch with level winder (200 lbs)
- 2-way 'winch only' operation - 50' corded pendant
- 2-way 'winch only' operation - wireless radio remote
- 6-way 'winch + bed' operation - wireless radio remote
- 6-way 'winch + bed' operation (corded pendant)
- PTO electric
- PTO pump
- PTO airshift
- Chrome lug nut covers
- Chrome hub caps
- 1/4" aluminum diamond plate bulk head cover



Underside of lift flip tail controlled by hydraulic cylinders



Hydraulic winch custom installed



Center tie downs

snorkel

www.snorkellifts.com

P.O. Box 1160
 St. Joseph, MO 64502-1160, USA
 Tel: 1 (785) 989-3000
 Toll-free: 1 (800) 255-0317
 Fax: 1 (785) 989-3070
 Email: sales.usa@snorkellifts.com